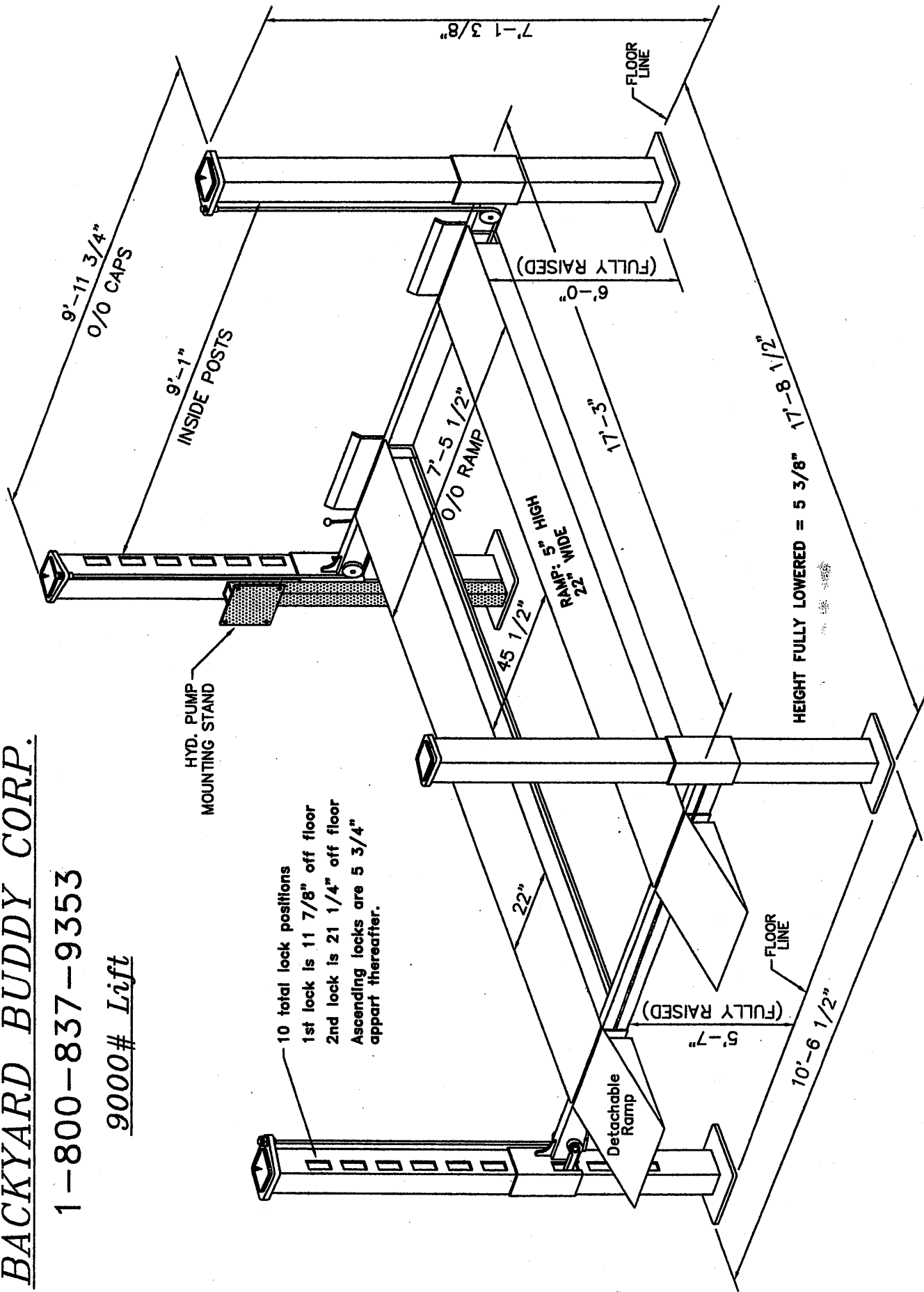


BACKYARD BUDDY CORP.

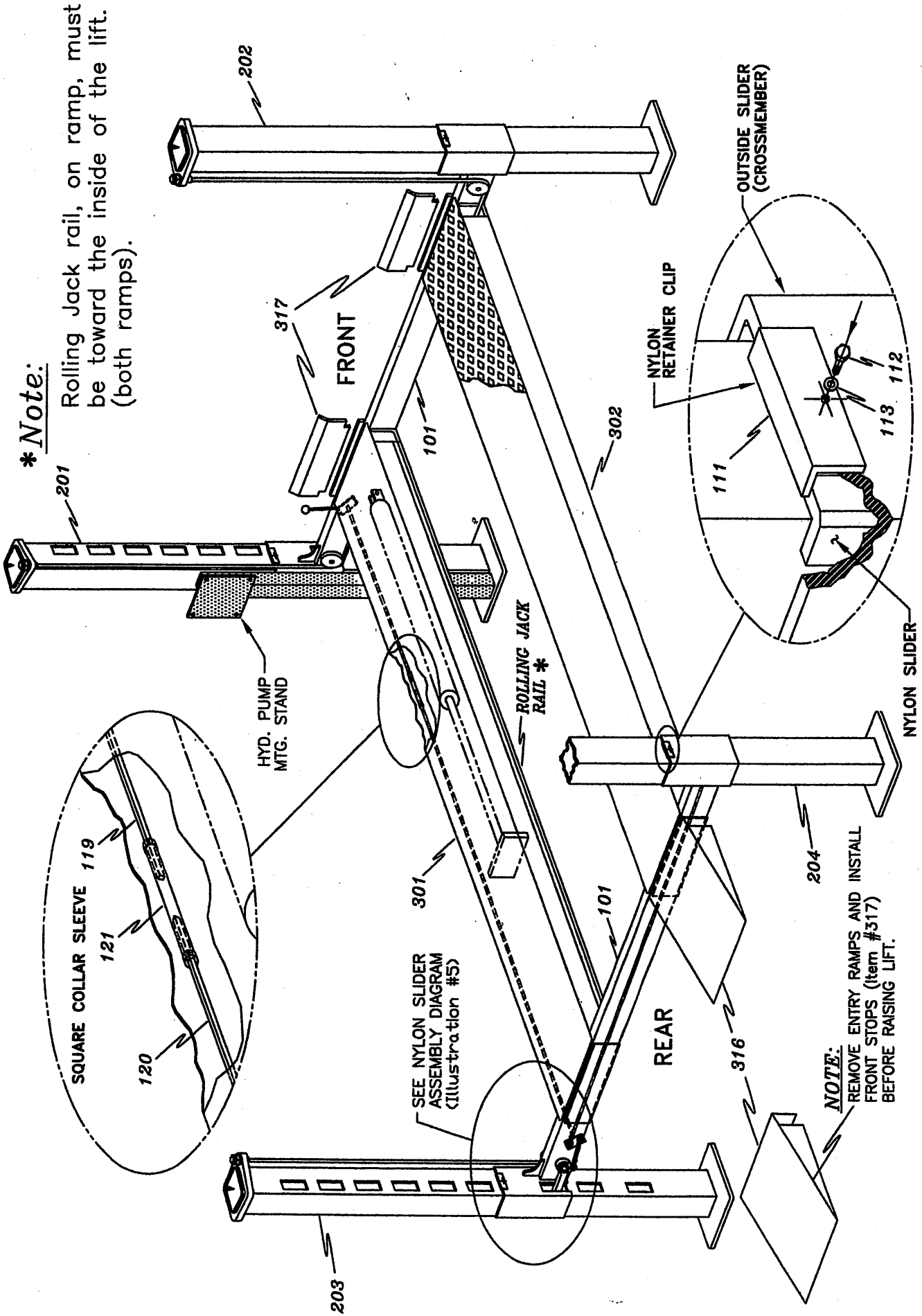
1-800-837-9353

9000# Lift



(Dimensions May Change Without Notice Due To Manufacturing Variances)

NOTE: IF YOU HAVE A "ROLLING JACK PLATFORM" or "HYDRAULIC JACK PLATFORM" - SEE ILLUSTRATIONS 12, 12A & 12B BEFORE ASSEMBLY.

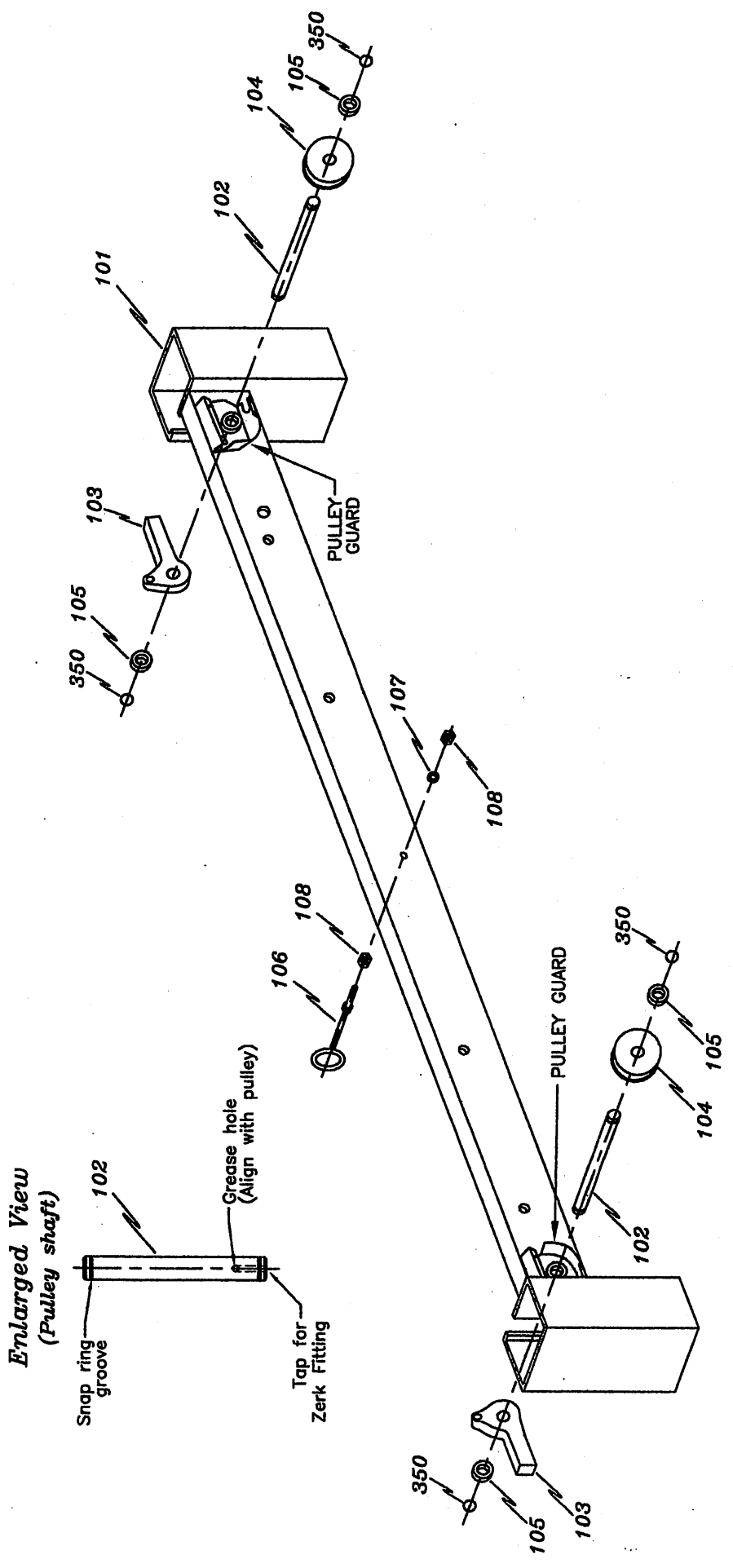


9000# LIFT DIAGRAM (ASSEMBLED) - ILLUSTRATION #1

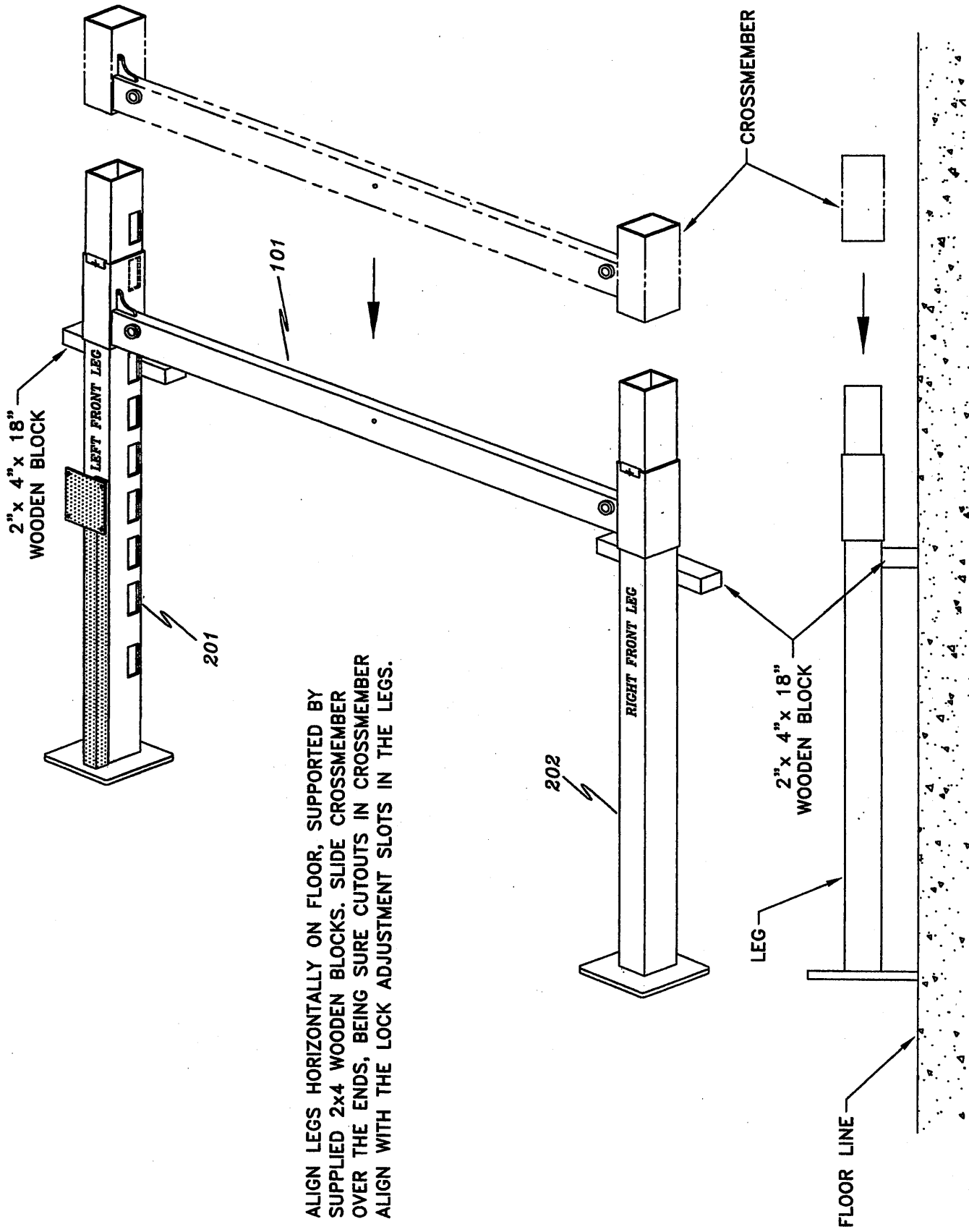
***Note:**

Rolling Jack rail, on ramp, must be toward the inside of the lift. (both ramps).

NOTE:
REMOVE ENTRY RAMP AND INSTALL FRONT STOPS (Item #317) BEFORE RAISING LIFT.



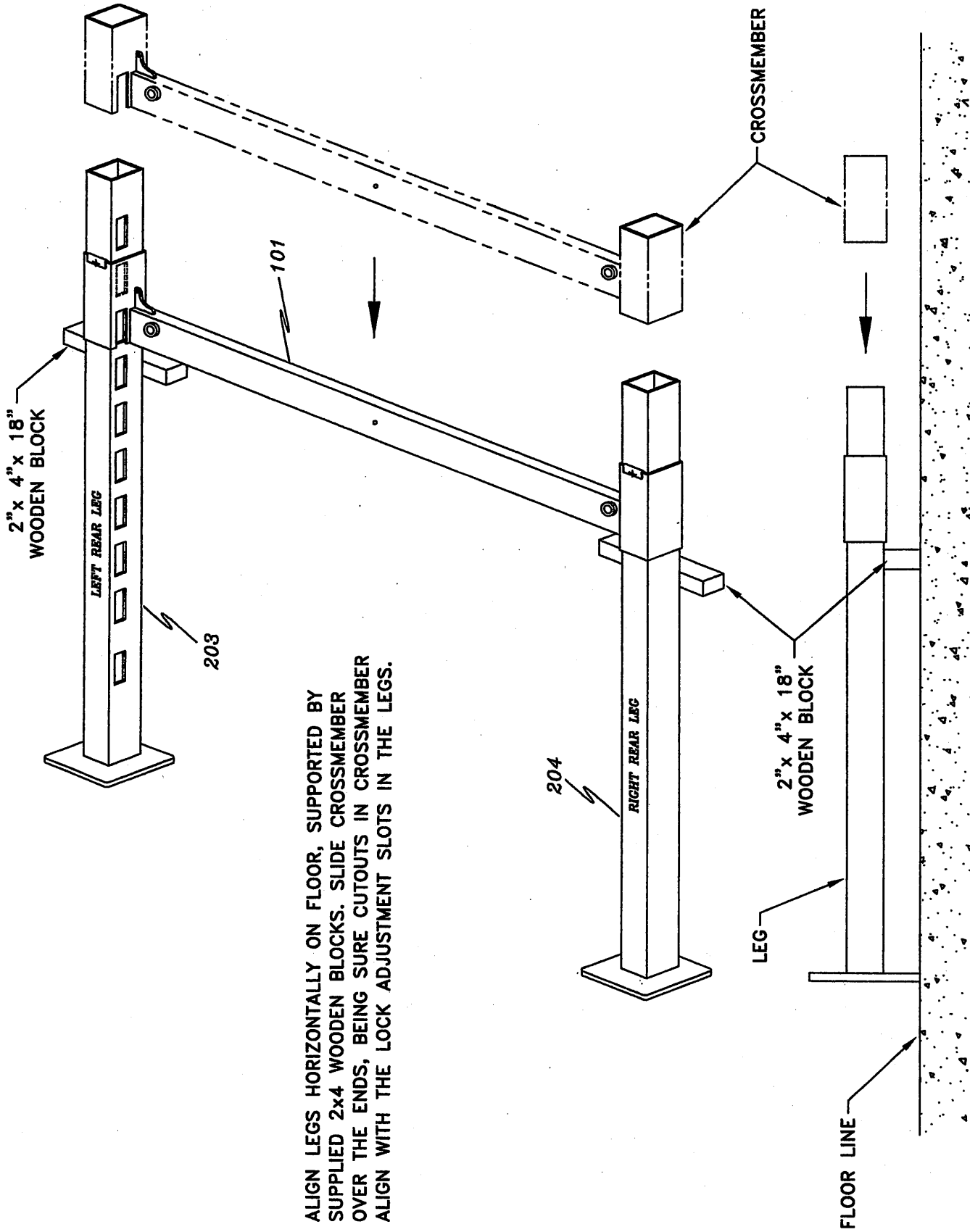
PRELIMINARY CROSSMEMBER ASSEMBLY (EXPLODED) - ILLUSTRATION #2
(BOTH CROSSMEMBERS)



ALIGN LEGS HORIZONTALLY ON FLOOR, SUPPORTED BY SUPPLIED 2x4 WOODEN BLOCKS. SLIDE CROSSMEMBER OVER THE ENDS, BEING SURE CUTOUTS IN CROSSMEMBER ALIGN WITH THE LOCK ADJUSTMENT SLOTS IN THE LEGS.

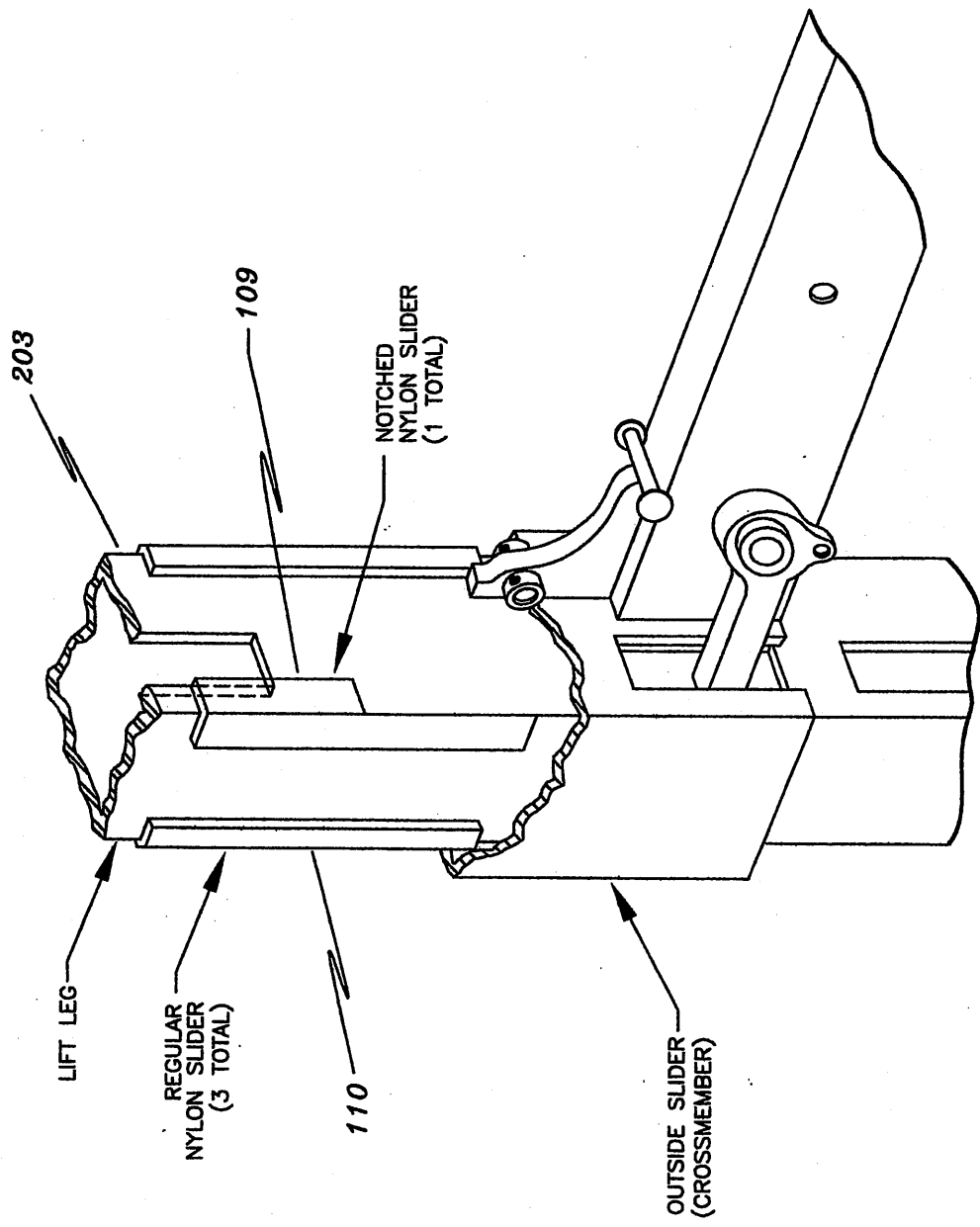
CROSSMEMBER TO LEG ASSEMBLY DIAGRAM - ILLUSTRATION #3

(FRONT ASSEMBLY)

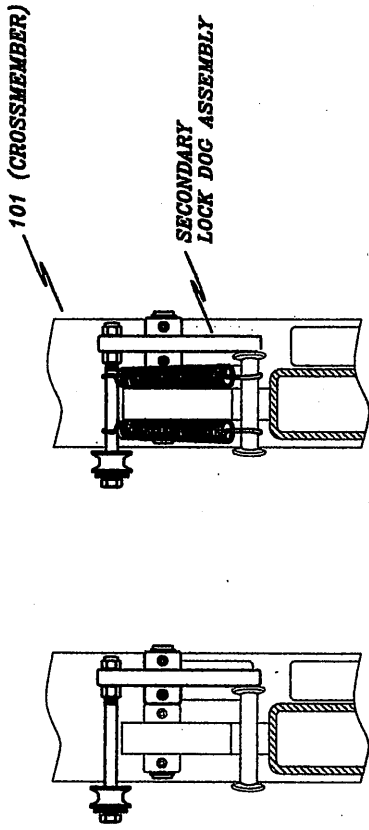


ALIGN LEGS HORIZONTALLY ON FLOOR, SUPPORTED BY SUPPLIED 2x4 WOODEN BLOCKS. SLIDE CROSSMEMBER OVER THE ENDS, BEING SURE CUTOUTS IN CROSSMEMBER ALIGN WITH THE LOCK ADJUSTMENT SLOTS IN THE LEGS.

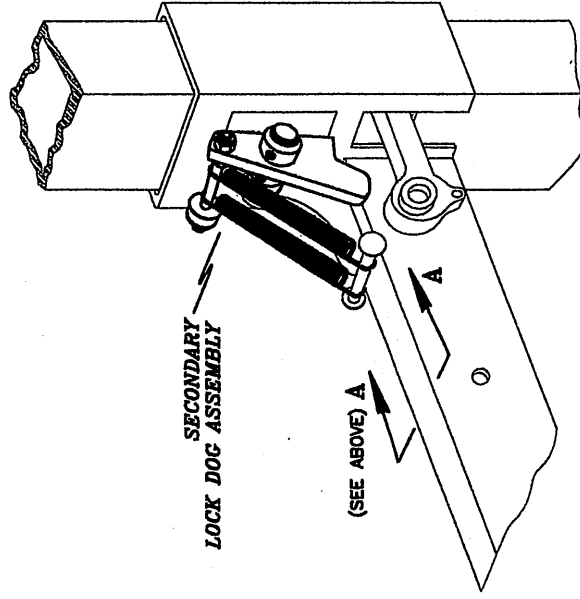
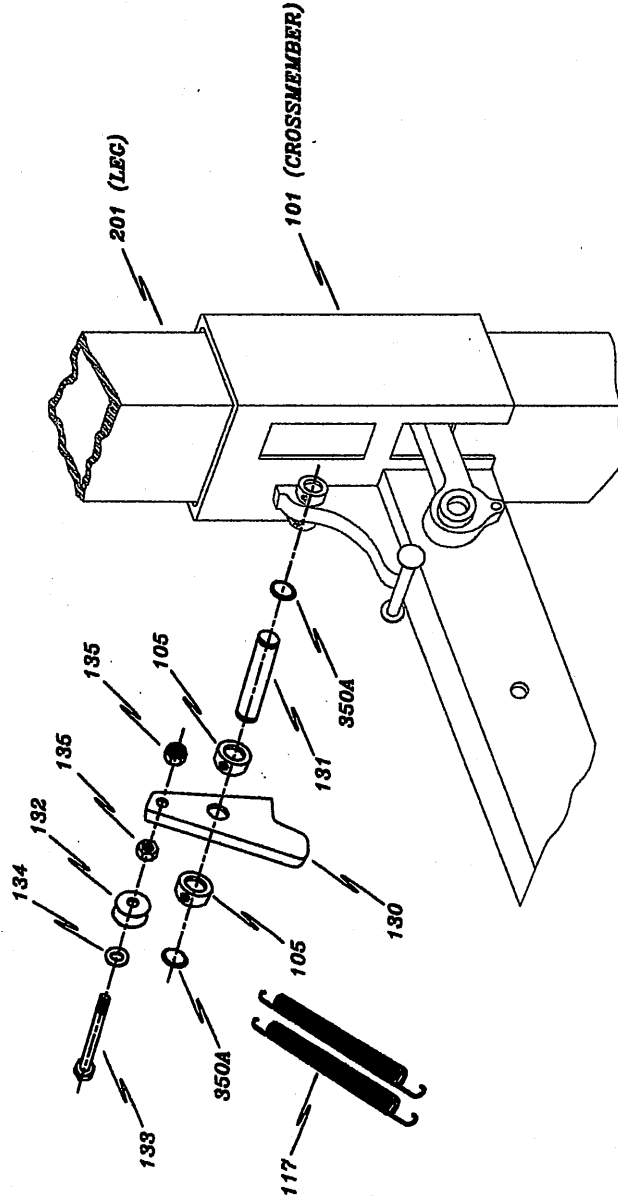
CROSSMEMBER TO LEG ASSEMBLY DIAGRAM - ILLUSTRATION #4
 (REAR ASSEMBLY)



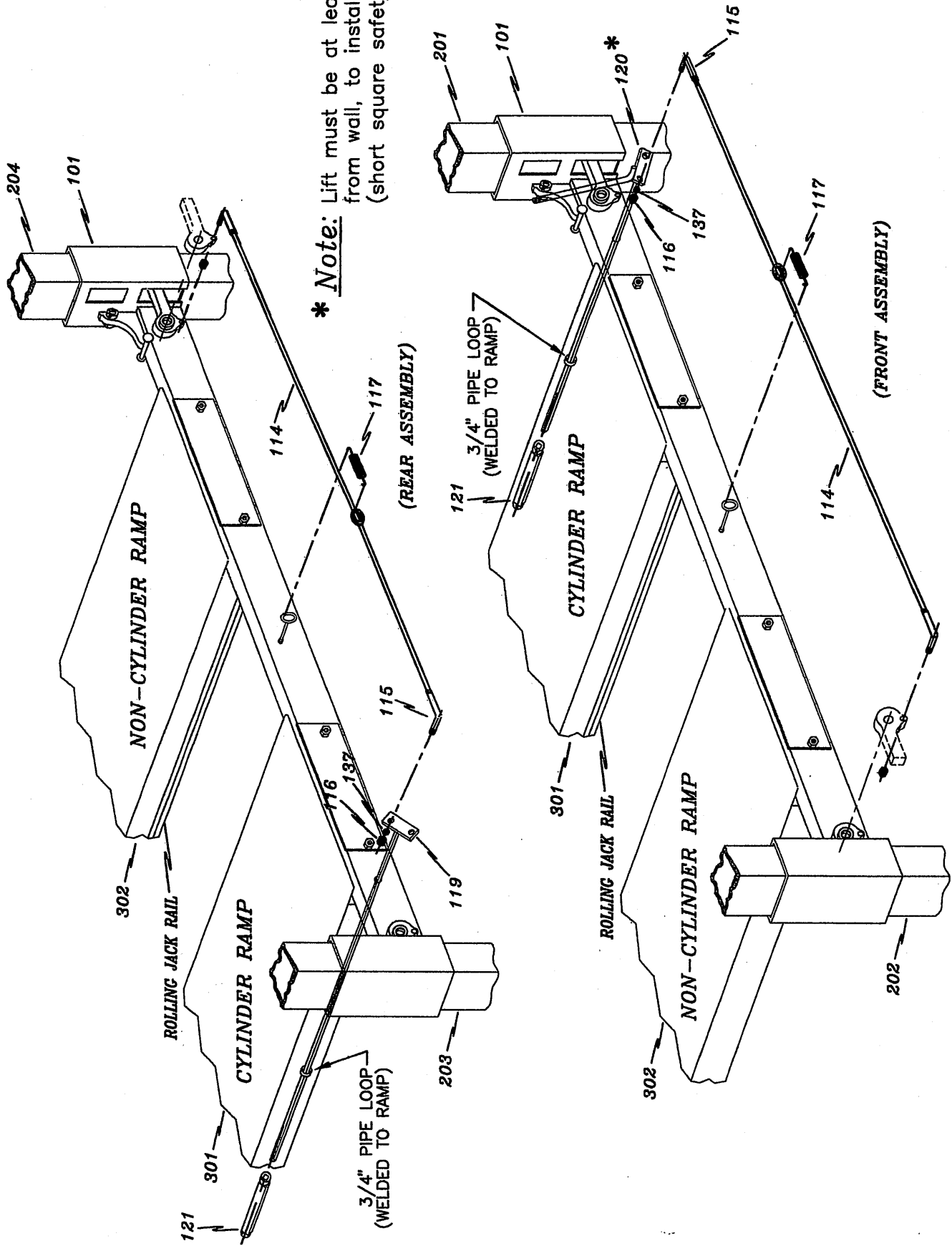
NYLON SLIDER INSTALLATION DIAGRAM - ILLUSTRATION #5
 (LEFT REAR LEG SHOWN)



VIEW A-A
(FROM BELOW)

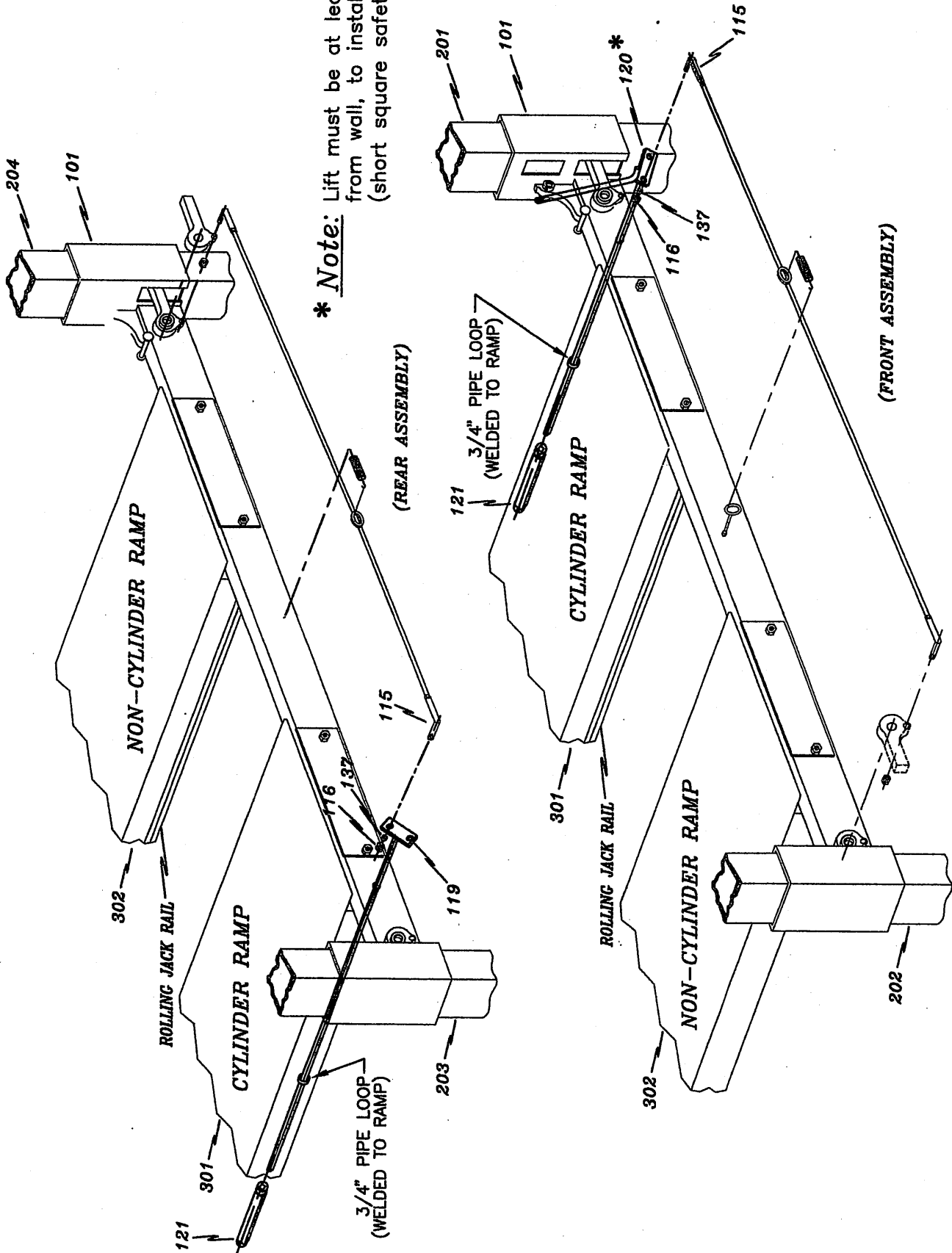


SECONDARY LOCK DOG DIAGRAM - ILLUSTRATION #5A
(ASSEMBLY/EXPLODED VIEW)



*** Note:** Lift must be at least 4 feet from wall, to install item #120 (short square safety lock rod).

CROSSMEMBER LOCKING LINKAGE ASSEMBLY - ILLUSTRATION #7

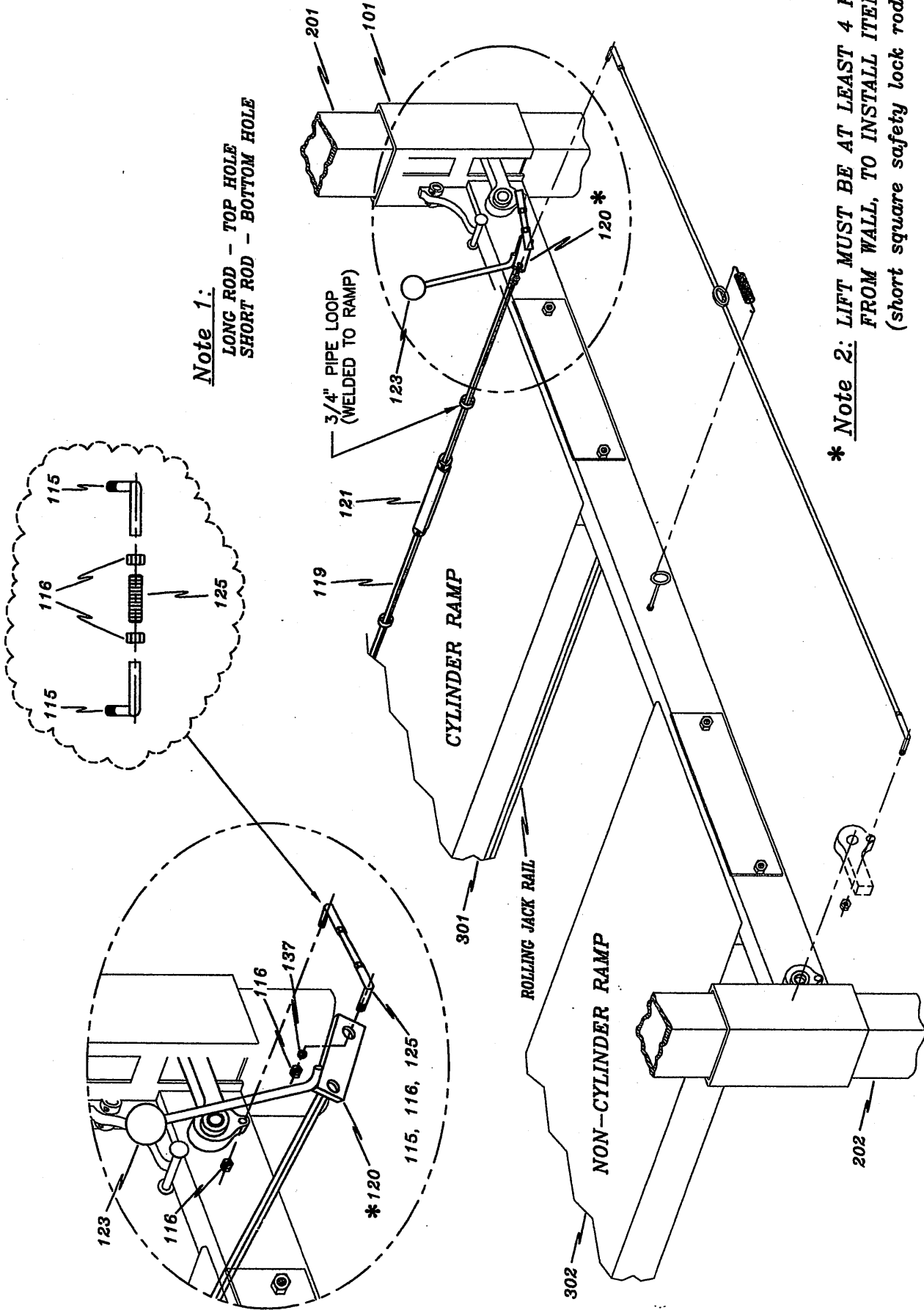


*** Note:** Lift must be at least 4 feet from wall, to install item #120* (short square safety lock rod).

(REAR ASSEMBLY)

(FRONT ASSEMBLY)

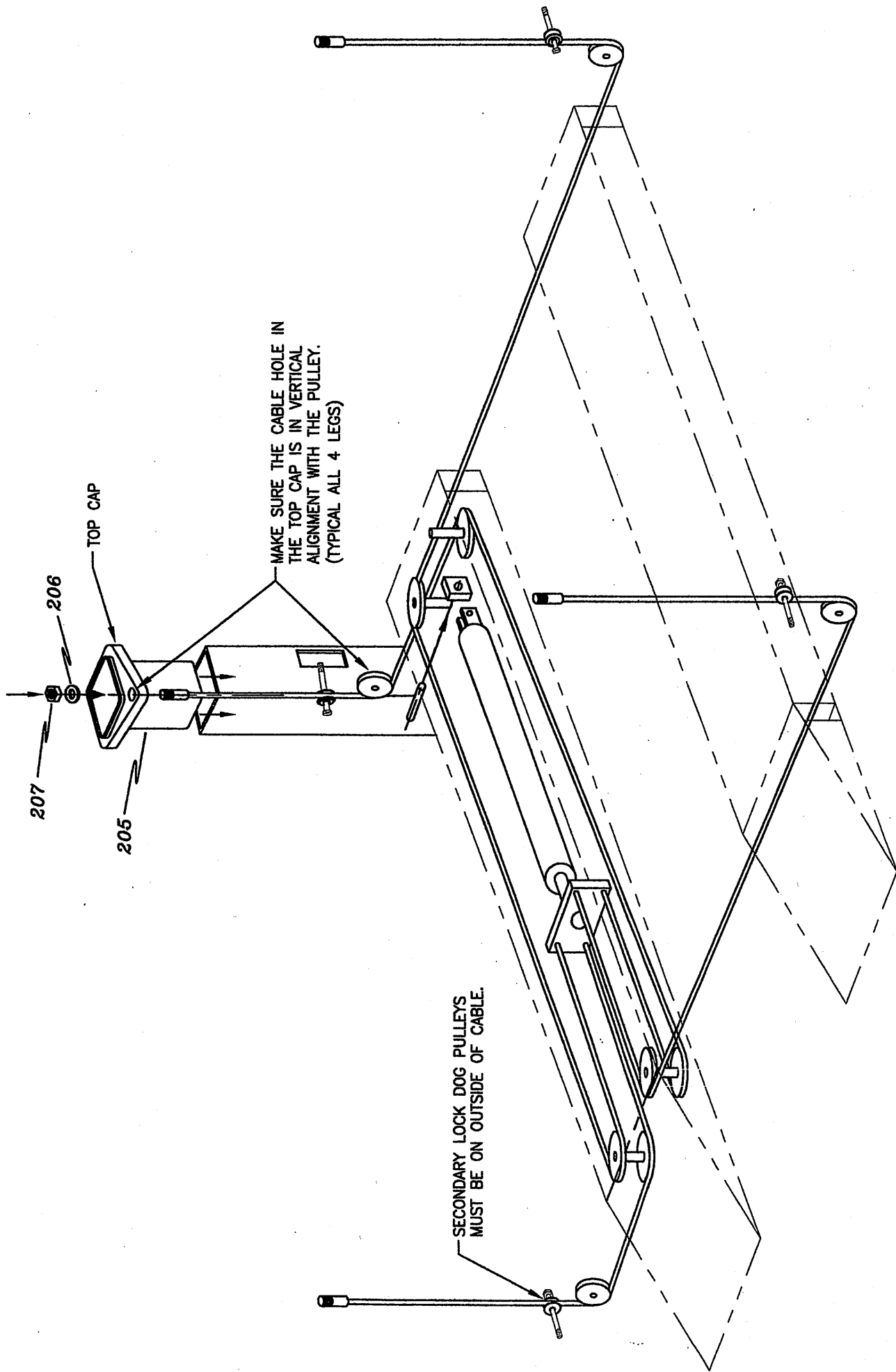
LONG/SHORT SQ. BAR SAFETY ROD ASSEMBLY - ILLUSTRATION #8



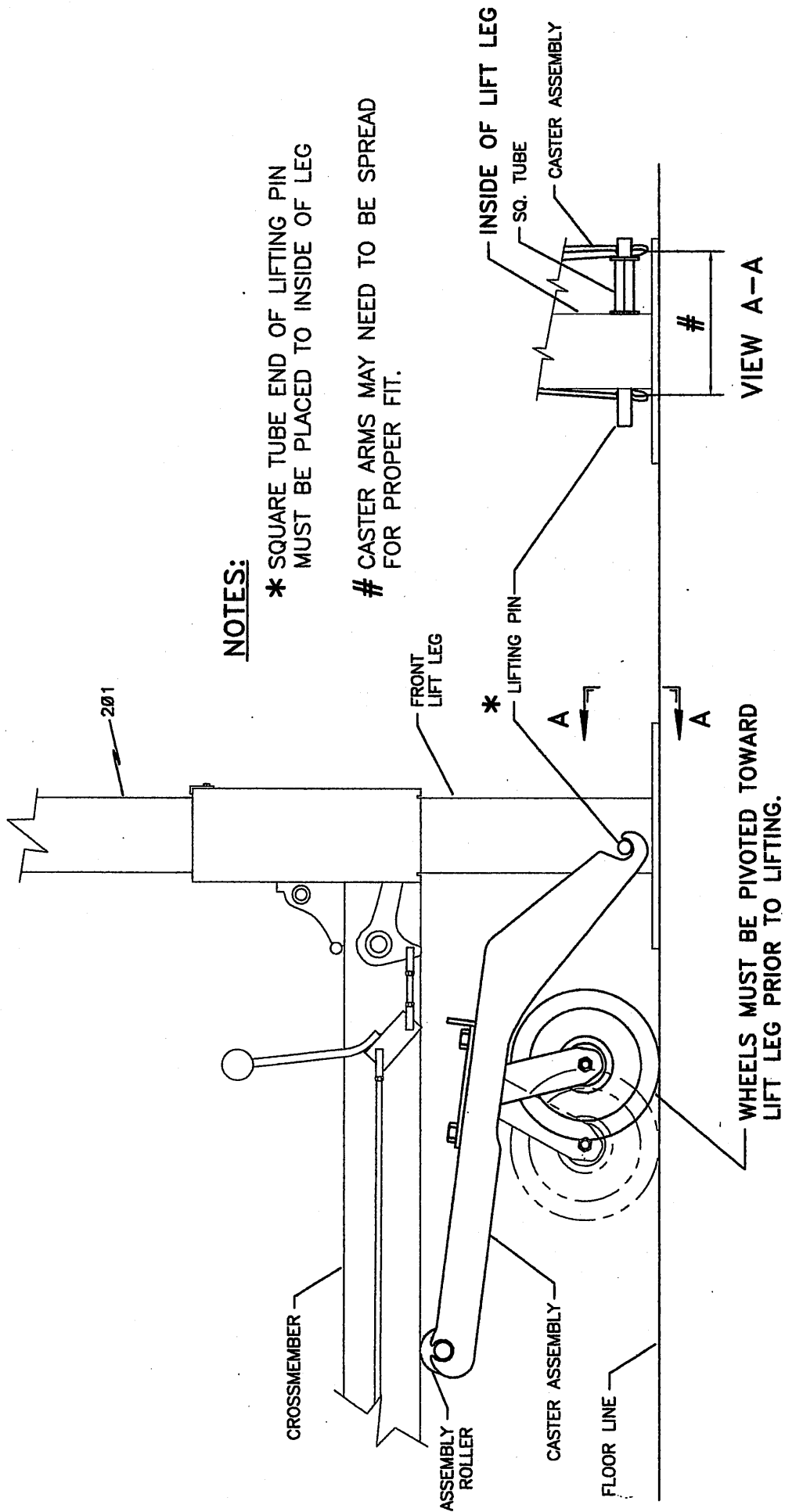
Note 1:
 LONG ROD - TOP HOLE
 SHORT ROD - BOTTOM HOLE

*** Note 2:** LIFT MUST BE AT LEAST 4 FEET
 FROM WALL, TO INSTALL ITEM #120
 (short square safety lock rod.)

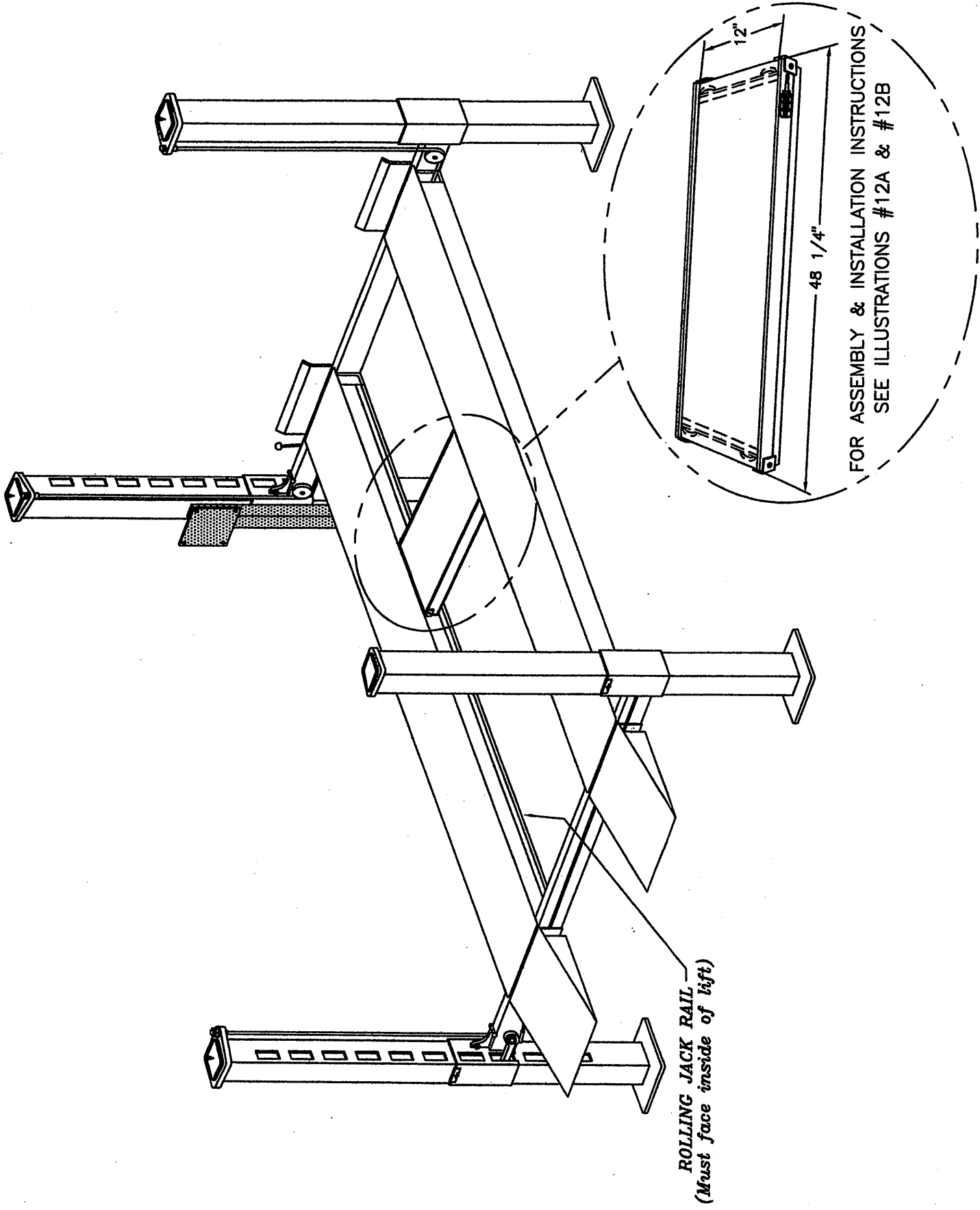
LONG/SHORT SQ. BAR SAFETY ROD ASSEMBLY - ILLUSTRATION #9



CABLE THREADING DIAGRAM - ILLUSTRATION #10



CASTER LIFTING ASSEMBLY (OPTIONAL) - ILLUSTRATION #11



ROLLING JACK PLATFORM (OPTIONAL) - ILLUSTRATION #12

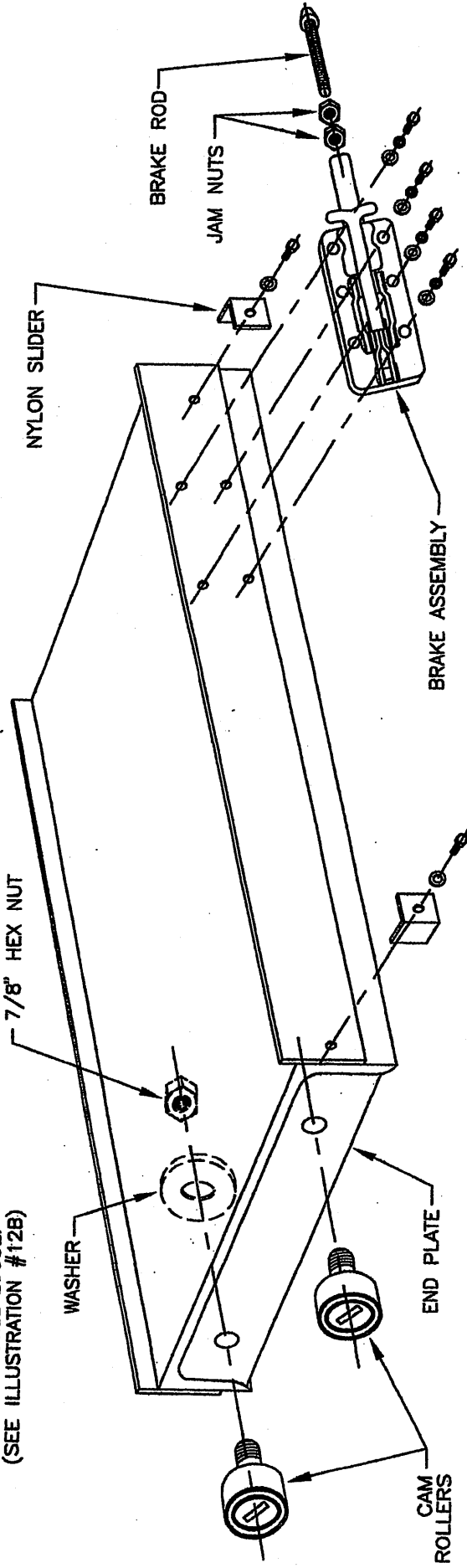
ASSEMBLY INSTRUCTIONS:

TOOLS NEEDED:

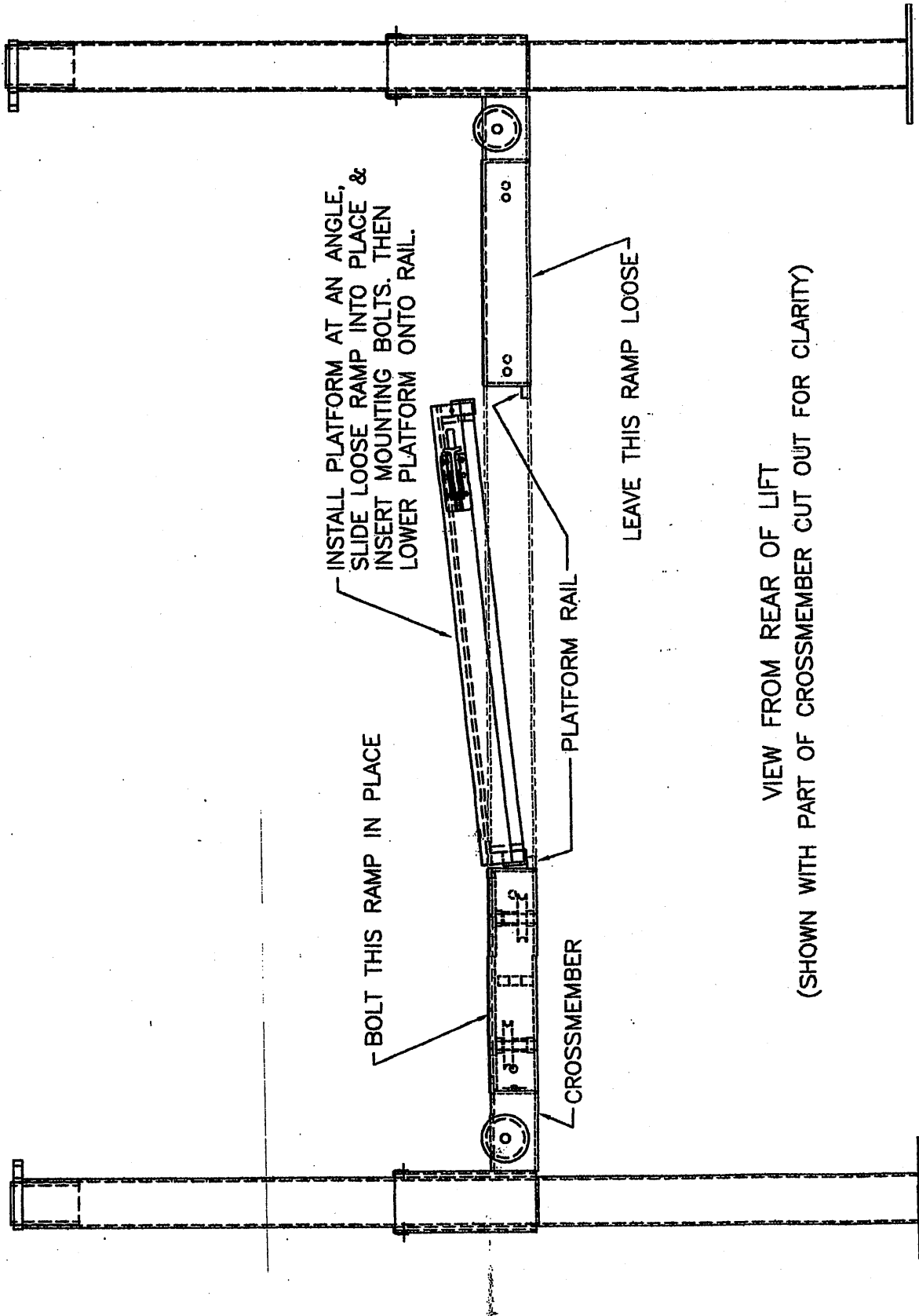
- 7/16" WRENCH
- CRESCENT WRENCH
- STR. SLOT SCREWDRIVER

- 1.) ATTACH BRAKE ASS'Y. TO PLATFORM WITH FOUR (4) 1/4-20 x 1/2" HEX BOLTS, LOCK WASHERS & FLAT WASHERS.
- 2.) THREAD TWO (2) JAM NUTS ONTO BRAKE ROD. THREAD THE ROD INTO THE BRAKE ASSEMBLY.
- 3.) ATTACH FOUR (4) CAM ROLLERS TO PLATFORM (ROLLERS MUST BE ON THE OUTSIDE OF END PLATE) WITH WASHER AND 7/8" HEX NUT. USE A STRAIGHT SLOT SCREWDRIVER, IN THE SLOT OF THE ROLLER, TO HOLD IT WHILE TIGHTENING NUT.
- 4.) ATTACH FOUR (4) NYLON SLIDERS, ONE (1) TO EACH CORNER OF PLATFORM, WITH 1/4-20 x 1/2" HEX BOLT AND FLAT WASHER.
- * 5.) AFTER PLACING PLATFORM ON LIFT RAILS, ADJUST THE BRAKE ROD SO IT WILL HOLD THE PLATFORM IN PLACE WHEN APPLIED.

* NOTE: PLATFORM MUST BE INSTALLED ON LIFT WHILE ONE OF THE RAMPS IS STILL LOOSE. (SEE ILLUSTRATION #12B)



ROLLING JACK PLATFORM ASSEMBLY DIAGRAM (OPTIONAL) - ILLUSTRATION #12A



VIEW FROM REAR OF LIFT
 (SHOWN WITH PART OF CROSSMEMBER CUT OUT FOR CLARITY)